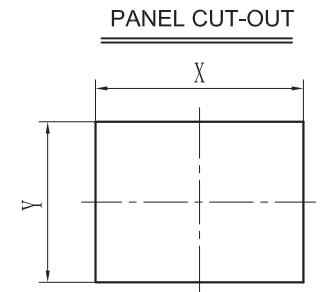
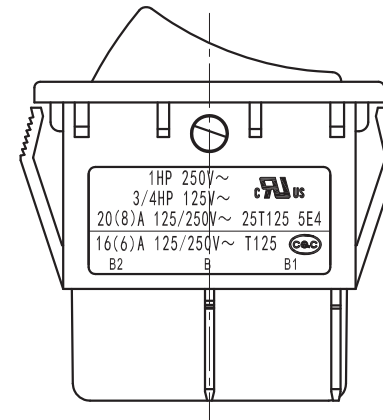
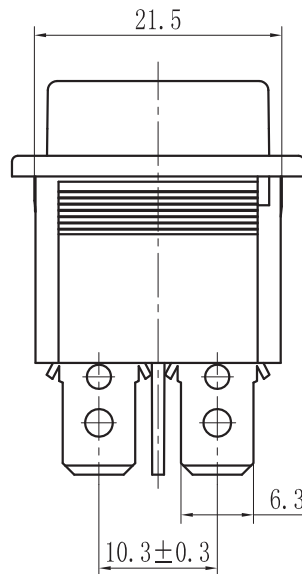
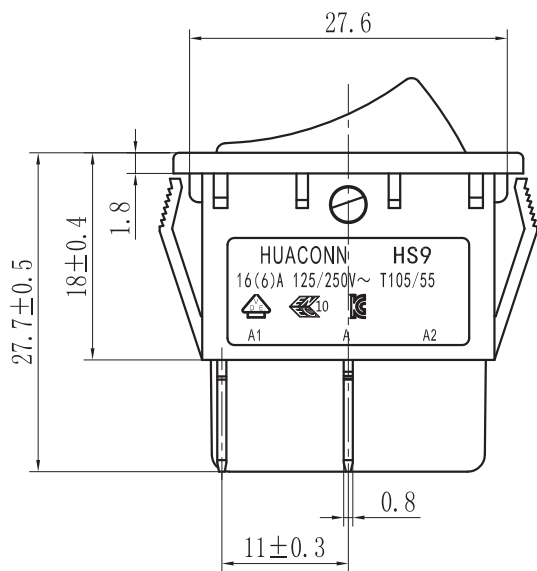


Technical requirements:

- Rating :
CQC : 16(6) A 125/250V~
VDE,ENEC,KC: 16(6) A 250V~
UL , cUL : 20(8) A 125/250V~
1HP 250V~
3/4HP 125V~
- Operating force: 800±400gf
- Contact resistance: ≤50mΩ
- Electrical life: ≥10000 cycles
- Withstand Voltage :Between all terminals:
1500VAC (50-60Hz)1min
Terminals to Button:
3000V AC (50-60Hz)1min
Leakage Current : 20mA
- Insulation Resistance : ≥100MΩ 500V DC
- Environmental temperature: : -25~+125°C



| PANEL THICKNESS | DIM.X | DIM.Y |
|-----------------|-----------|-------|
| 0.75~1.25 | 27.5~27.6 | 21.6 |
| 1.25~2.0 | 27.7~27.9 | 21.6 |
| 2.0~3.0 | 28.0~28.2 | 21.6 |

UNIT单位: mm

| COMMON TOLERANCE 普通公差 | ISSUE版本 A | DATE日期 2016/03/17 | DESCRIPTIONS修改 | APPD.核准 | PRODUCT NAME 产品名称: Rocker switch | DWN. 绘制: 胡新旺 | DATE日期: 2016.03.17 |
|---|--------------|----------------------|----------------|--|-------------------------------------|-----------------------------|-----------------------------|
| | | | | | PART NO. 料号: HS9-E1-04Q2B1-BR03(R3) | CHK'D审核: <i>[Signature]</i> | DATE日期: 2016.03.17 |
| | | | | | PRODUCT MODEL 型号: HS9 | APPD.核准: <i>[Signature]</i> | DATE日期: 2016.03.17 |
| 0~10 ±0.1; 10~20 ±0.2; 20~50 ±0.3; 50~ ±0.5; | | | SCALE比例: FREE | 东莞市德沃电子科技有限公司 DEWO ELECTRONICS TECHNOLOGY CO., LTD | | | Figure No. 图号 HS9E1C1002 |